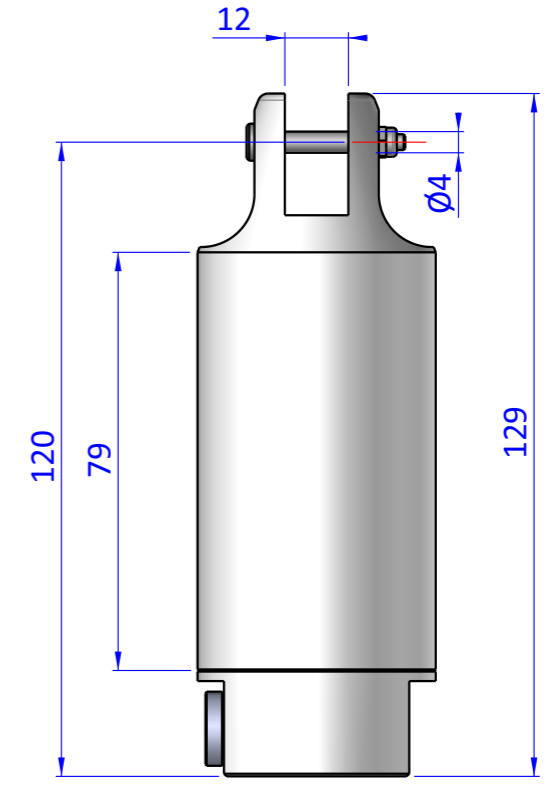
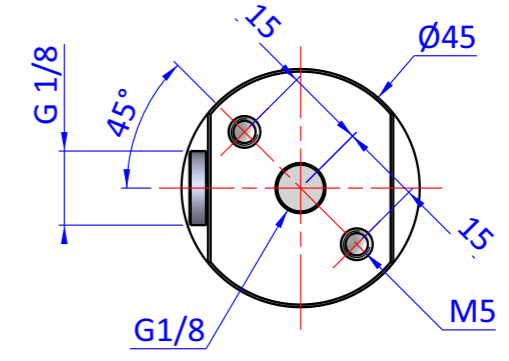
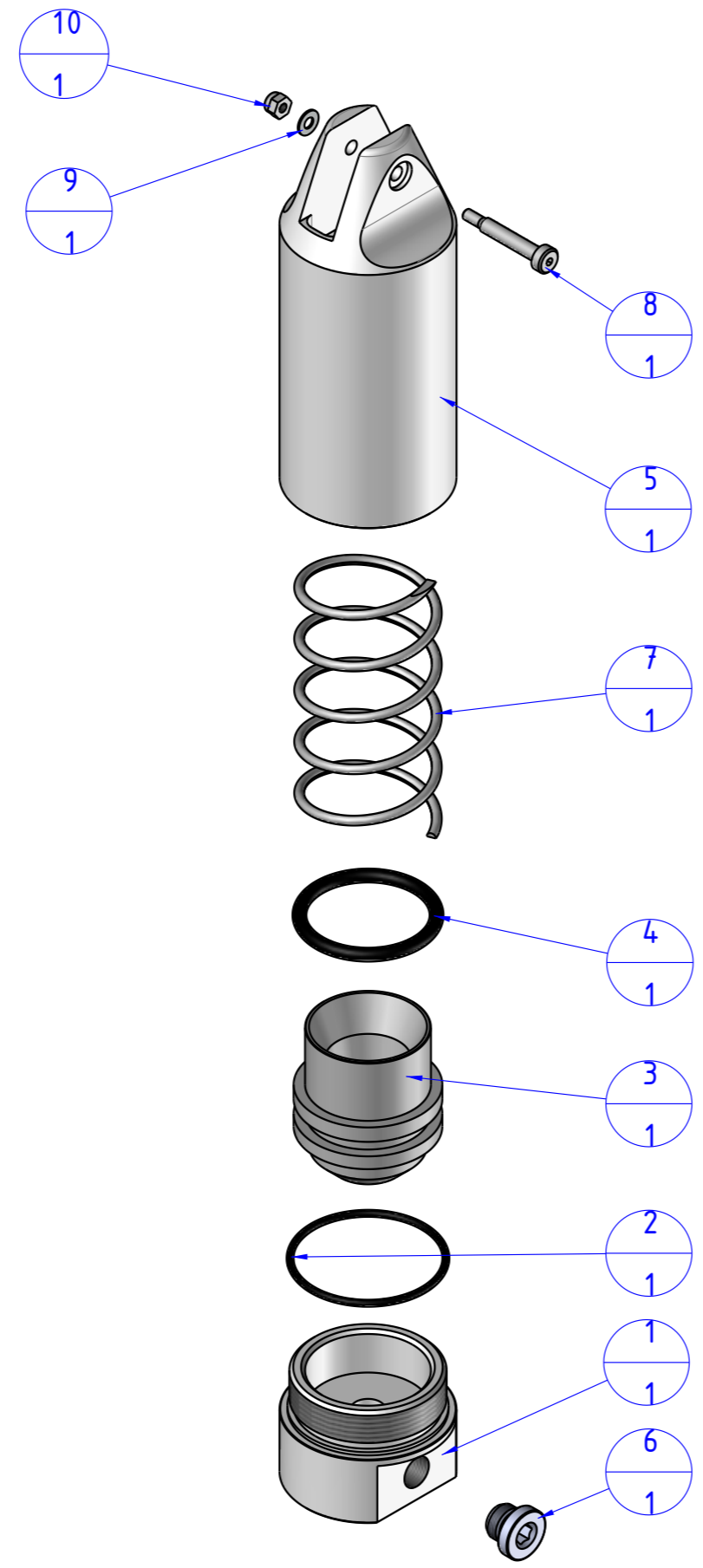



THE PROPERTY OF THE DRAWING IS ESTABLISHED BY LAW. IT IS FORBIDDEN TO PRODUCE OR SHOW IT TO THIRD PART. WITHOUT A WRITTEN AGREEMENT.

Item	Name	Q.ty
1	10.01.006.2	1
2	OR.2150	1
3	10.01.006.3	1
4	OR.4125	1
5	10.01.006.1	1
6	CA.08.14.014	1
7	M.37,5x80	1
8	V.UMB.04.20.M3	1
9	R.3	1
10	D.3AUT	1



Format A3
UNI 936-76

 FPS FPSERVICES AUTOMATION		DESIGNED FROM FPS Automation		REVIEW A	
		DATE 23/07/2019	WEIGHT 0,252kg		
GENERAL TOLERANCE UNI - ISO 2768 CLASSE f	DESCRIPTION CA.ATE.20M		CODE CA.ATE.20M		